

Nuralite Accessories NURAPADS and NURAJACKS

Product Description

Recently Councils have insisted that deck surfaces should be removable for access to the waterproofing membrane.

Nurapads and Nurajacks provide a method to have the tiles removable, while being height adjustable, they allow the tiles to be raised up to the level of the living space when the deck has a step down (photo B).

They are made from high density polypropilene injection moulding. They are age and weather resistant and fully compatible with all roofing materials. The pedestals are simply freestanding on the membrane with the paving sitting into the corners of the Nurapad or Nurajack.

The Nurajacks wide base ensures the loads are well spread and that the unit remains stable under loading.

Nurajacks have two head styles, fixed or swivel. The swivel head is most popular because they are easier to install as they self level (photo C).

Tiles and pavers must be strong enough to carry foot traffic weight, when supported on four edges. Before purchasing your tile or paver, ensure the supplier warrants it will work with the Nurajack system. Nuralite can refer you to suppliers who stock appropriate tiles.

Adding an acoustic shim is a cost effective way to enhance the acoustic reduction properties of the system. Acoustic test reports are available on request.

To calculate the quantities required, a calculator is available at www.nuralite.co.nz/nurajackscalculator.

Technical Information

	Nurapad	Nurajack
Diameter:	150mm	205mm
Height of Tile Spacers:	10mm	18mm
Max Loading per Pad:	1000kgs	1000kg

Visit Nuralite premises at **53a Victoria Street, Onehunga** to see the system in action, and to place an order phone us on **09 579 2046** or **0800 Nuralite (0800 687254)**.



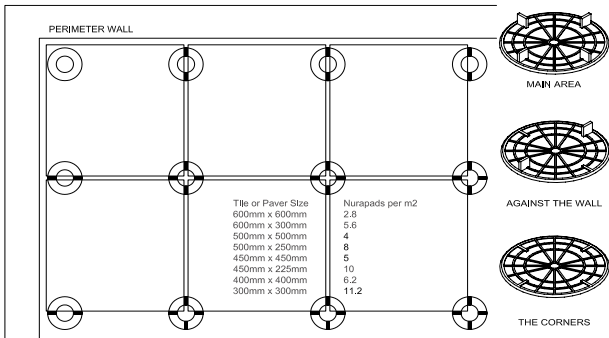
Nuralite Accessories NURAPADS and NURAJACKS

Sizing Selection

	Swivel Head	Fixed Head
Nurapad		12mm
Nurajack 1	37.5-50mm	40-67mm
Nurajack 2	50-75mm	60-90mm
Nurajack 3	75-120mm	90-150mm
Nurajack 4	120-170mm	150-260mm
Nurajack 5	170-215mm	
Nurajack 6	140-230mm	
Nurajack 7	185-275mm	
Nurajack 8	235-325mm	
Nurajack 9	205-345mm	
Nurajack 10	250-385mm	
Nurajack 11	300-400mm	
Nurajack 12	270-455mm	
Nurajack 13	315-500mm	
Nurajack 14	365-550mm	

Nurajack Acoustic Spacers 1, 2 or 3 mm

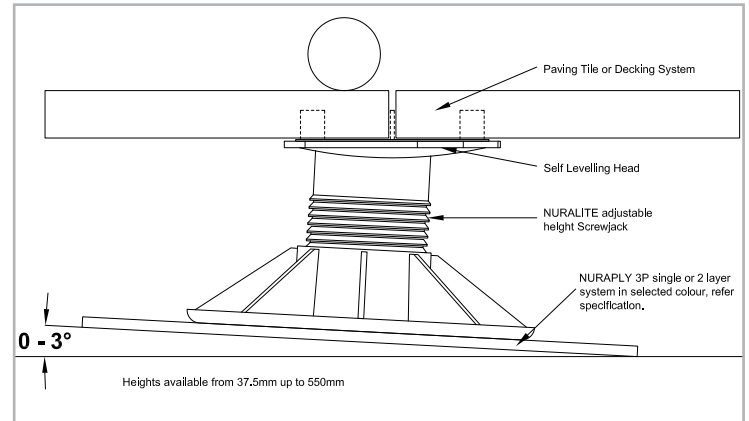
Screwjack Application Example



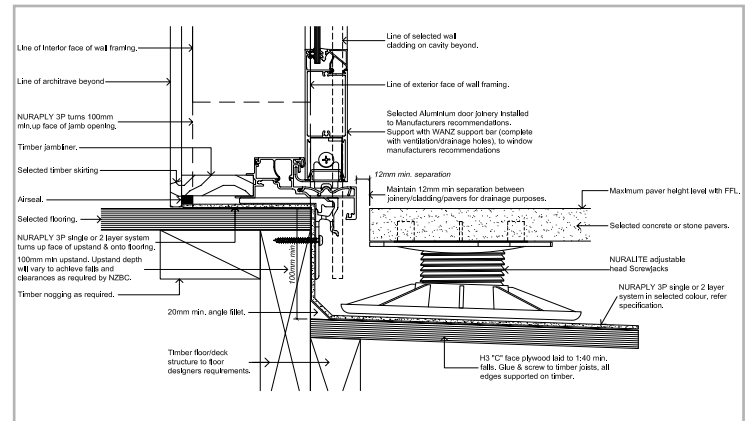
See www.nuralite.co.nz for a CAD version of installation details.

To the best of our knowledge, the information in this brochure is accurate at the time of printing. Nuralite Waterproofing Ltd reserves the right to alter information, formulation or parameters at any time without notice.

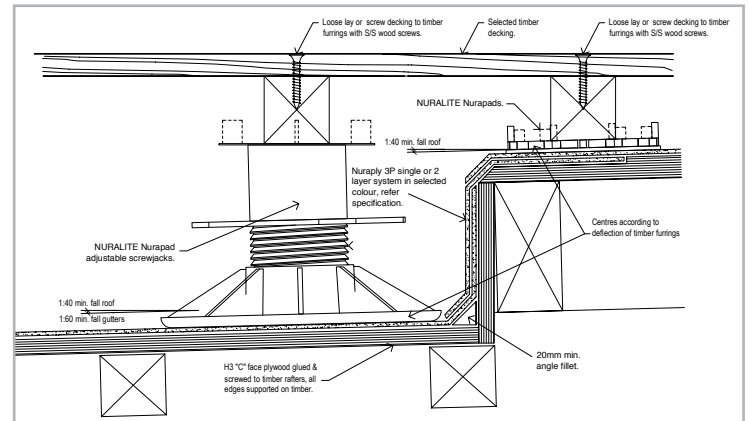
Self-Leveling Nurajack Detail



Deck Door Sill Nurajacks



Timber Deck Overlay



Nurajack Edge Detail with Gutter and Handrail

